

# ROVAL™ COLLECTION

**NEW!**  
EXPANDED EDITION

PAPER TOWEL DISPENSERS



MIRRORS

TOILET TISSUE DISPENSERS



AUTOMATIC HAND DRYERS



**ROVAL™**

by **ASI®**

Distributed by  
[www.Ameraproducts.com](http://www.Ameraproducts.com)  
Phone: (800) 608-6568  
Fax: (409) 840-5545  
[info@ameraproducts.com](mailto:info@ameraproducts.com)

# ROVAL™ COLLECTION

## INTRODUCING ROVAL™ by ASI®



From ASI comes a collection of washroom accessories that is not only elegant, durable and exceptionally functional, but is engineered better than any other product in its class. Actually — the Roval™ Collection has just raised the bar.

Intended for high-profile projects, this collection adds elegance to any washroom without becoming the focal point. Subtle curves, drawn one-piece seamless doors and flush tumbler locks, make the Roval™ Collection ideal for the most aesthetically demanding applications.



Fully removable waste cans, strong hinges, integral locking system, simple installation — form and function meet to make this collection your de facto choice when it comes to writing specs and designing washrooms of the new millennium.

## ***BEAUTIFUL PRODUCTS, MADE BETTER***

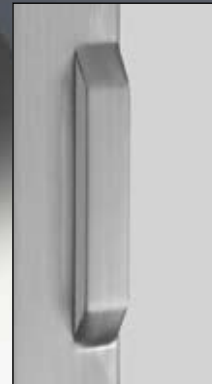
### **AMERICAN SPECIALTIES, INC.**

Superior design and the most extensive range of products in the industry - hallmarks of our washroom accessories. Since 1961, ASI has provided thousands of products that have satisfied the most discerning designers and given our customers the peace of mind, that no matter what they build, ASI will have products that will stand the test of time.

ASI's team of quality-conscious individuals operate out of several facilities and are supported by representatives strategically located across the globe to serve your needs. Architects, designers, building owners, facility managers and construction professionals have placed their trust in ASI products for some of the most prestigious projects throughout the world for decades.

When you specify Roval™, you can expect washroom accessories that are:

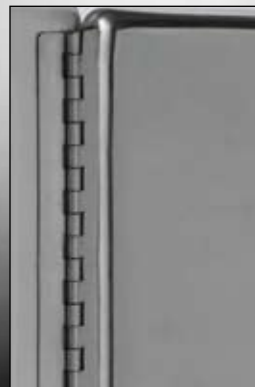
- **Aesthetically pleasing**  
*Curved design and brushed, stainless steel finish are the ideal choice for high-end commercial washroom applications*
- **Functionally superior**  
*Integral locking systems and heavy-duty staked, piano hinges will stand the test of time*
- **Quickly installed**  
*Full access to back panels makes installation easy*
- **Easily maintained**  
*Stainless steel finish is easy to clean and fully removable waste cans allow contents to be easily discarded*
- **Competitively priced**



*Durable, Integral Locking System*



*Removable Waste Receptacles*



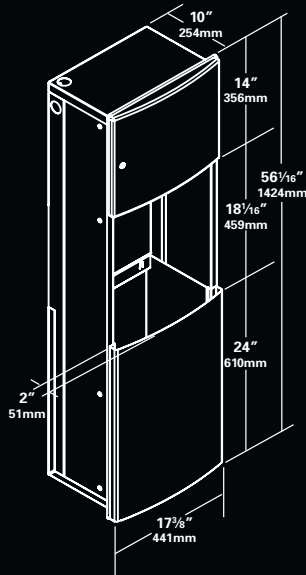
*Staked, Piano Hinges*

**ROVAL™**  
by **ASI™**

3

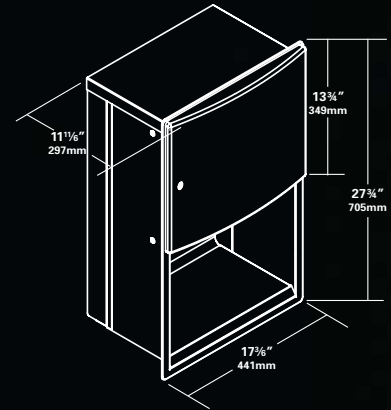
Distributed by  
[www.Ameraproducts.com](http://www.Ameraproducts.com)  
Phone: (800) 608-6568  
Fax: (409) 840-5545  
[info@ameraproducts.com](mailto:info@ameraproducts.com)

# ROVAL™ COLLECTION



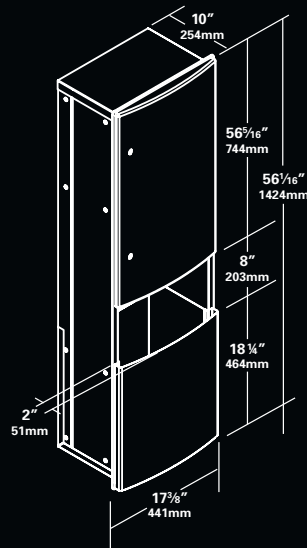
Wall Opening: 15<sup>13</sup>/<sub>16</sub>" x 54<sup>11</sup>/<sub>16</sub>" x 10"  
(402 x 1389 x 254 mm)

**204692A AUTOMATIC RECESSED ROLL PAPER TOWEL DISPENSER AND WASTE RECEPTACLE**  
Fabricated of 18 gauge type 304 stainless steel. 17.8 gal. (67.2 L) removable waste receptacle.



Wall Opening: 15<sup>3</sup>/<sub>4</sub>" x 26" x 10"  
(400 x 660 x 254 mm)

**204523A RECESSED AUTOMATIC ROLL PAPER TOWEL DISPENSER**  
Fabricated of 22 gauge stainless steel with satin finish.



Wall Opening: 15<sup>13</sup>/<sub>16</sub>" x 54<sup>11</sup>/<sub>16</sub>" x 10"  
(402 x 1389 x 254 mm)

**2046921A RECESSED AUTOMATIC ROLL PAPER TOWEL DISPENSER AND WASTE RECEPTACLE FOR ADAAG COMPLIANCE**  
Smaller waste receptacle, 13.5 gal. (51.1 L), allows installation according to ADAAG. Internal shelf is ideal for paper towel storage.

## AVAILABLE MOUNTING STYLES

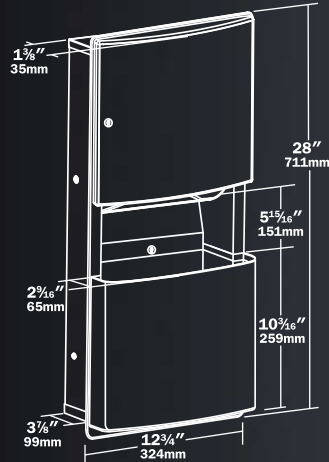
All units are available in three mounting styles:  
Recessed – standard  
Semi-Recessed – add -6 to product number  
Surface Mounted – add -9 to product number

## POWER SOURCE

Units can be hard wired or battery operated.  
Battery Operated – Suffix "A" in the product number indicates that the unit is powered by four (4) D-size batteries (not supplied)  
Hard wired – replace suffix "A" in the product number with the suffix "AC"

## AUTOMATIC MECHANISM

Units automatically dispense one predetermined length at a time when hands are placed in sensor zone. The owner can predetermine the length of towel dispensed.

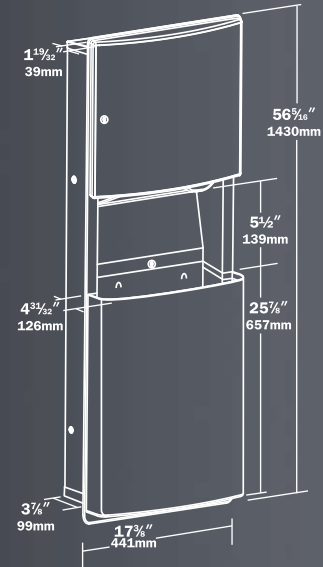


Wall Opening: 11<sup>1</sup>/<sub>4</sub>" x 26<sup>7</sup>/<sub>16</sub>" x 3<sup>15</sup>/<sub>16</sub>"  
(286 x 672 x 100 mm)

**204623 RECESSED PAPER TOWEL DISPENSER AND REMOVABLE WASTE RECEPTACLE**

Dispenses 350 C-fold, 475 multi-fold paper towels. 3.0 gal. (11.2 L) removable stainless steel waste receptacle with a tumbler lock. 22 gauge type 304 stainless steel door in a satin finish with a flush lock and a heavy-duty <sup>3</sup>/<sub>16</sub>" staked piano hinge on door.

204623-9 (Not shown) Same as 204623 but with collar for surface mounting.

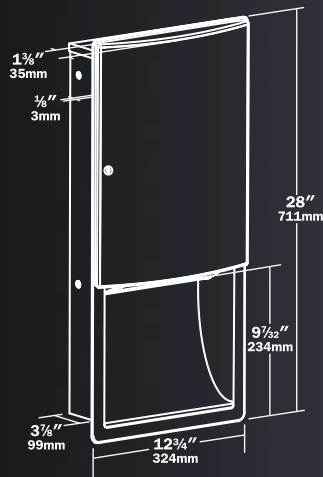


Wall Opening: 15<sup>5</sup>/<sub>8</sub>" x 54<sup>3</sup>/<sub>8</sub>" x 4"  
(397 x 1381 x 102 mm)

**20469 RECESSED PAPER TOWEL DISPENSER AND WASTE RECEPTACLE**

Dispenses 600 C-fold or 800 multi-fold paper towels. 14.8 gal. (56 L) removable waste receptacle. Door made of 18 gauge type 304 stainless steel with a heavy-duty <sup>3</sup>/<sub>16</sub>" staked piano hinge.

20469-9 (Not shown) Same as 20469 but with collar for surface mounting.



Wall Opening: 11<sup>1</sup>/<sub>4</sub>" x 26<sup>7</sup>/<sub>16</sub>" x 3<sup>15</sup>/<sub>16</sub>"  
(286 x 672 x 100 mm)

**20452 PAPER TOWEL DISPENSER**

Dispenses 600 C-fold or 800 multi-fold paper towels. Door fabricated of 18 gauge type 304 drawn one piece stainless steel with satin finish. Door secured with <sup>3</sup>/<sub>16</sub>" staked piano hinge and flush tumbler lock.



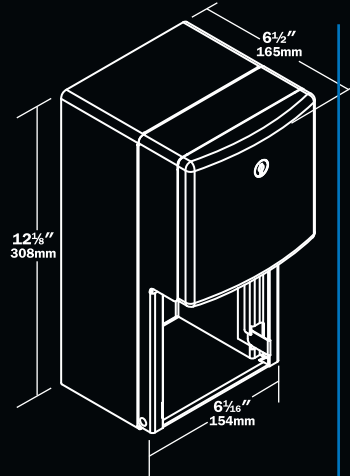
**20210 PAPER TOWEL DISPENSER**

Dispenses 400 C-fold or 525 multi-fold paper towels. Fabricated of 22 gauge type 304 stainless steel with satin finish. Fitted with tumbler lock and heavy-duty stainless steel staked piano hinge. Overall Size: 11<sup>1</sup>/<sub>16</sub>" x 13<sup>9</sup>/<sub>16</sub>" x 4<sup>7</sup>/<sub>8</sub>" (281 x 345 x 124 mm).



Distributed by  
www.Ameraproducts.com  
Phone: (800) 608-6568  
Fax: (409) 840-5545  
info@ameraproducts.com

# ROVAL™ COLLECTION



## 20030 SURFACE MOUNTED TWIN HIDE-A-ROLL TOILET TISSUE DISPENSER

Holds two rolls up to 5.25" (133 mm) diameter (double roll capacity 3600 sheets). Top roll automatically drops in place when bottom roll is used up. Type 304 satin finish stainless steel cabinet and mechanism. Theft-resistant spindles with integral plated steel endpins.

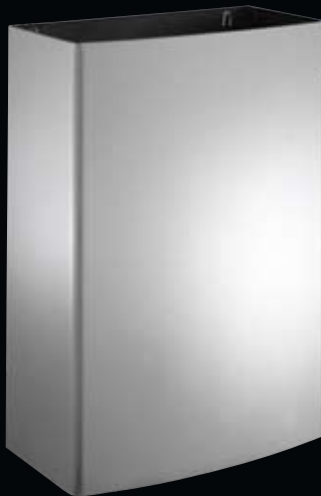
**20031 (Not shown) SEMI-RECESSED MOUNTED TWIN HIDE-A-ROLL TOILETTISSUE DISPENSER**  
Same as 20030 but comes with flange for semi-recessing.



## 20650 ROVAL™ STAINLESS STEEL MIRROR

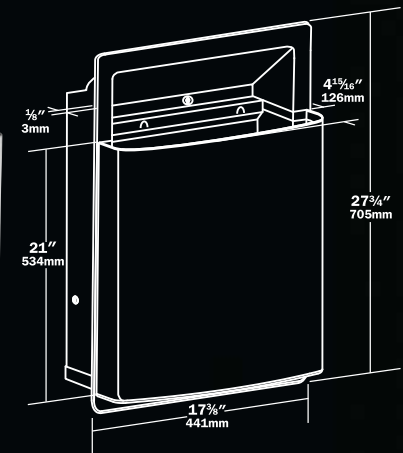
The gently radiused edges uniquely complement the curves of the ASI Roval™ Collection. Frame fabricated of 18 gauge type 304 stainless steel with satin finish and polished seamless mitered corners. 0.25" (6.4 mm) thick plate glass mirror. Warranted for 15 years against silver spoilage. Choice of sizes.

**20650-B (Not shown)** Same as 20650 but with tempered glass.



**20826 SURFACE MOUNTED WASTE RECEPTACLE**  
Receptacle front and sides fabricated of 20 gauge type 304 stainless steel with satin finish. Capacity 12.8 gal. (48.8 L). Overall Size: 15 1/8" x 23" x 8 1/2" (384 x 584 x 216 mm).

**20826-T (Not shown) SURFACE MOUNTED WASTE RECEPTACLE WITH CLOSED TOP AND PUSH DOOR**  
Same as 20826 but with closed top, spring-loaded door. Capacity 12.8 gal. (48.8 L).



Wall Opening: 15 3/4" x 26" x 3 15/16"  
(400 x 660 x 100 mm)

## 20458 SEMI-RECESSED REMOVABLE WASTE RECEPTACLE

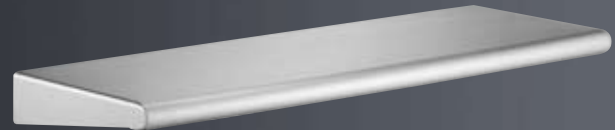
Easy maintenance — removable stainless steel waste receptacle locks into cabinet with a tumbler lock for security. Capacity 11.2 gal. (42.6 L). Fabricated of 20 gauge type 304 stainless steel with satin finish.



**20655 ROVAL™ STAINLESS STEEL MIRROR WITH INTEGRAL SHELF**

The gently radiused edges provide added strength and complement the curves of the ASI Roval™ Collection. Mirror frame and 6" wide curved edge shelf are fabricated of 18 gauge type 304 stainless steel with satin finish. Mirror frame has polished seamless mitered corners. 0.25" (6.4 mm) thick plate glass mirror. Warranted for 15 years against silver spoilage. Choice of sizes.

20655-B (Not shown) Same as 20655 but with tempered glass.



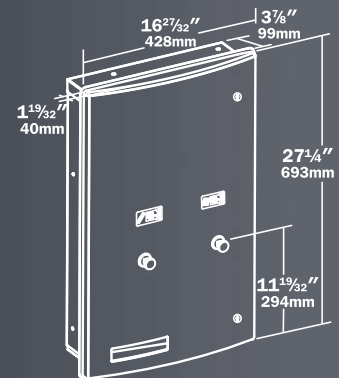
**20692 SURFACE MOUNTED SHELF**

Fabricated of 18 gauge type 304 stainless steel, the 6" wide shelf has a 3/4" (19mm) gently radiused edge that uniquely complements the curves of the ASI Roval™ Collection. Choice of sizes.



**20852 SURFACE MOUNTED SANITARY WASTE RECEPTACLE**

Lid and cabinet are each drawn one piece construction. Lid is secured to the cabinet with a heavy-duty 9/64" multi-staked concealed piano hinge. Overall Size: 7 1/4" x 10" x 3 1/2" (185 x 253 x 89 mm).



Wall Opening: 15 5/8" x 26 1/8" x 4"  
(397 x 664 x 102 mm)

**204684 RECESSED DUAL SANITARY NAPKIN & TAMPON DISPENSER**

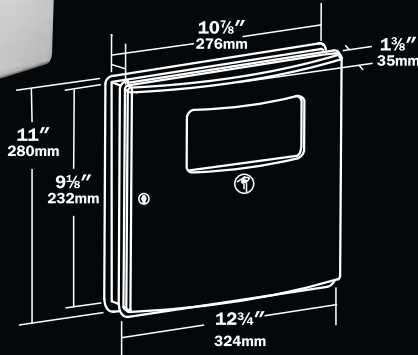
Dispenses 31 napkins and 22 tampons. Door made of 18 gauge type 304 satin finish stainless steel, with two flush tumbler locks. Universal coin mechanism is convertible for 25 cents, 50 cents or FREE (no coin) operation. Coin boxes have different lock and key than doors.

204684-9 (Not shown) Same as 204684 but with collar for surface mounting.



Distributed by  
www.AmerProducts.com  
Phone: (800) 608-6568  
Fax: (409) 840-5545  
info@amerproducts.com

# ROVAL™ COLLECTION



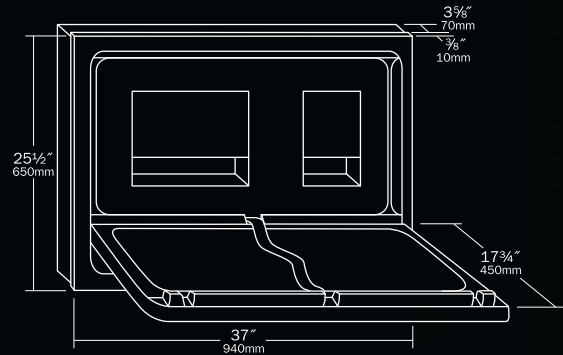
**Wall Opening:**  
 11 3/8" x 9 5/8" x 4" (min.)  
 (289 x 244 x 102 mm)

**20470 RECESSED SANITARY NAPKIN DISPOSAL**  
 Heavy-duty 9/64" staked piano hinge adds to the robust construction. Drawn one piece seamless door of 22 gauge type 304 stainless steel with a satin finish. 1.0 gal. (3.7 L) waste capacity.

**20472 (Not shown)** Same as 20470 but mounts through partitions up to 1 1/4" thick. Expandable steel waste can ensures a perfect fit for thicker partitions.



**20477-SM SURFACE MOUNTED SEAT COVER DISPENSER**  
 Dispenses 250 seat covers. Fabricated of 20 gauge type 304 stainless steel with a satin finish. Overall Size: 15 3/4" x 11" x 2 3/8" (400 x 280 x 60 mm).



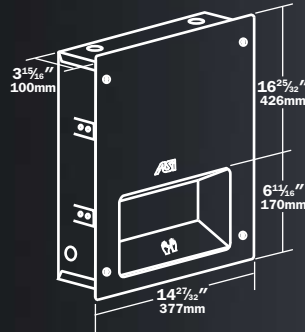
**Wall Opening: 34 1/4" x 22 3/4" x 3 3/4"**  
 (870 x 578 x 95 mm)

**9013 RECESSED STAINLESS STEEL BABY CHANGING STATION**  
 ADA-compliant with welded stainless steel construction. Exposed surfaces are #4 satin finish. Changing surface is high-impact-resistant plastic shaped to cradle a child's body. Two-part adjustable safety strap and 400 lb. (181 kg) load-capacity assures child protection. Overall size (open): 33 1/2" x 25 1/2" x 17 3/4" (860 x 650 x 450 mm).





**"Best New Product for 2009" as chosen by Architectural Record"**



**Decibel Level**  
63 dB-A @ 2M

**Wall Opening: 14" x 16" x 4"**  
(356 x 406 x 102 mm)

**0133 FULLY RECESSED AUTOMATIC HAND DRYER**  
Fully recessed ADA-compliant hand dryer. Durable 14 gauge stainless steel cover has a satin finish and seamless design making it ideal for any washroom. 10-year warranty.



**Decibel Level**  
69 dB-A @ 2M

**Wall Opening: (Conforms to ADA)**  
10 1/2" x 15 1/8" x 3 1/4" (267 x 384 x 83 mm)

**20199 ROVAL™ RECESSED HIGH SPEED HAND DRYER**  
This high performing hand dryer, with a drying time of 10 - 15 seconds, has a cover made of 18 gauge stainless steel and uniquely complements the Roval™ Collection with its bowed face and gently radiused edges. 5-year warranty.



**Decibel Level**  
Min: 59 dB-A @ 2M  
Max: 72 dB-A @ 2M



**0197-1-93 TURBO-Dri™ HIGH SPEED HAND DRYER**  
Quick drying – approx. 12 seconds. Heavy-duty, one piece satin stainless steel cover. Adjustable air velocity and temperature. Energy efficient - Greenspec™ listed. 5-year warranty.

0197-1-92 (Not shown) Polished stainless finish.

0197-1 (Not shown) White enamel finish.

**Overall Size: 8 1/16" x 11 19/64" x 7 5/64" (205 x 287 x 180 mm).**

**0119 TURBO-Dri Semi-Recess Kit**

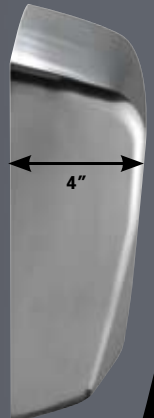
Semi-recess kit reduces protrusion to less than 4", meeting both ADAAG and CalDAG Barrier-Free requirements.

**Wall Opening: 10 3/4" x 16 3/8" x 3 3/4" (273 x 416 x 95 mm) (min).**



**Decibel Level**  
63 dB-A @ 2M

**SURFACE MOUNTED**  
4" DEEP  
ADA  
DRYERS



**0185 ROVAL™ STEEL COVER HAND DRYER**  
Available in White, Grey, Black, Almond, Bright and Satin Stainless Steel. 10-year warranty.

**Overall Size: (Conforms to ADA)**  
14 7/16" x 10 13/16" x 3 15/16" (367 x 275 x 100 mm).

**0195 (Not shown) ROVAL™ CAST IRON HAND DRYER**

Available in White, Grey, Black and Almond. 10-year warranty.

**Overall Size: (Conforms to ADA)**  
15 3/32" x 11 7/32" x 3 15/16" (383 x 285 x 100 mm).



Distributed by  
**www.Ameraproducts.com**  
Phone: (800) 608-6568  
Fax: (409) 840-5545  
info@ameraproducts.com



**20333 AUTOMATIC DECK MOUNTED SOAP DISPENSER**  
 Constructed of polished type 304 stainless steel on exposed surfaces with battery-operated, hands-free sensor. LEDs indicate function, battery condition and soap supply level on face front. Translucent tank. Capacity: 54 oz. (1600 ml) of liquid soap.



**20365 AUTOMATIC FOAM SOAP DISPENSER**  
 A foam drop is dispensed out of the nozzle on unit bottom each time its battery-operated sensor is activated. Capacity: 34 oz. (1000 ml) of liquid foaming soaps within a wide range of viscosity. Overall size: 5½" x 10⅞" x 4" (140 x 276 x 102 mm) projection.



**20364 AUTOMATIC SOAP OR HAND SANITIZER DISPENSER**  
 Hands-free, battery-operated soap or hand sanitizer dispenser. Dispensing cycles adjustable with tamper proof magnetic key. Seamless drawn type 304 stainless steel cover. Translucent removable internal tank for easy-to-view level. LED indicates adjustment and operation. Capacity: 34 oz. (1000 ml). Overall size: 5½" x 10⅞" x 4" (140 x 276 x 102 mm) projection.



**0362 AUTOMATIC SOAP OR HAND SANITIZER DISPENSER**  
 Hands-free, battery-operated, satin finish stainless steel soap or hand sanitizer dispenser. Capacity: 27 oz. (800 ml) when using disposable soap cartridge (by others) or 30 oz. (900 ml) when using provided refillable soap cartridge. Overall Size: 4⅜ x 10⅞ x 4⅞ (122 x 270 x 105 mm) projection.

0363 (Not shown) Same as 0362 except bright polished finish.



#### 9343 HORIZONTAL SOAP DISPENSER

All-purpose soap valve. Unbreakable refill window, concealed fastening and hinged filler-top for vandal resistance. Capacity: 48 oz. (1.4 L). Overall size: 7 1/4" x 6 1/2" x 3 11/16" (185 x 163 x 94 mm) projection.



#### 20363 SURFACE MOUNTED VERTICAL SOAP DISPENSER

Same as 20364 but with push button. Valve operation complies with ADAAG, needing no more than 5 lbs of pressure to actuate. Gently radiused edge complements the curves of the ASI Roval™ Collection. Capacity: 57 oz. (1.7 L). Overall size: 5 1/2" x 10 7/8" x 4" (140 x 276 x 102 mm) projection.

## ASI GUARANTEE

Products are guaranteed to be free from defects in workmanship and material for a period of one year from date of purchase. Any products returned under this guarantee will be repaired or replaced at no charge.

Illustrations and descriptions herein are applicable to production as of the date of this catalog. The manufacturer reserves the right to make changes and improvements in designs and dimensions at any time.



Distributed by  
[www.Ameraproducts.com](http://www.Ameraproducts.com)  
Phone: (800) 608-6568  
Fax: (409) 840-5545  
[info@ameraproducts.com](mailto:info@ameraproducts.com)

## THE ASI GROUP

The ASI Group is your single source solution for Washroom Accessories, Toilet Partitions, Lockers and other storage products worldwide.

**Partitions** — The most complete line available in the industry — stainless steel, solid plastic, powder coated steel, phenolic, color-thru phenolic and plastic laminate partitions. Since 1957, we have offered designers worldwide a myriad of choices to satisfy every need.

**Lockers** — The best engineered lockers and shelving in the industry, period. A wide range of colors and materials (including steel, solid plastic and phenolic) offer the perfect solution for any storage application.

Our mission is to make our customers successful by providing value that exceeds price and an excellent service experience. We do this by providing superior design, the broadest range of quality products in the industry, and state-of-the-art manufacturing to ensure that we have whatever our customers need, whenever they need it.

With experienced architectural representatives and customer service teams, we are here to help you deliver on projects that range from world-class office buildings, educational facilities, sports venues, and government buildings to hospitals, chain stores, and hospitality / entertainment complexes.

American Specialties, Inc., Global Partitions, Accurate Partitions Corp. and ASI Storage Solutions Inc. are all part of the ASI Group of companies.



Distributed by  
[www.Ameraproducts.com](http://www.Ameraproducts.com)  
Phone: (800) 608-6568  
Fax: (409) 840-5545  
[info@ameraproducts.com](mailto:info@ameraproducts.com)