



Technical Data

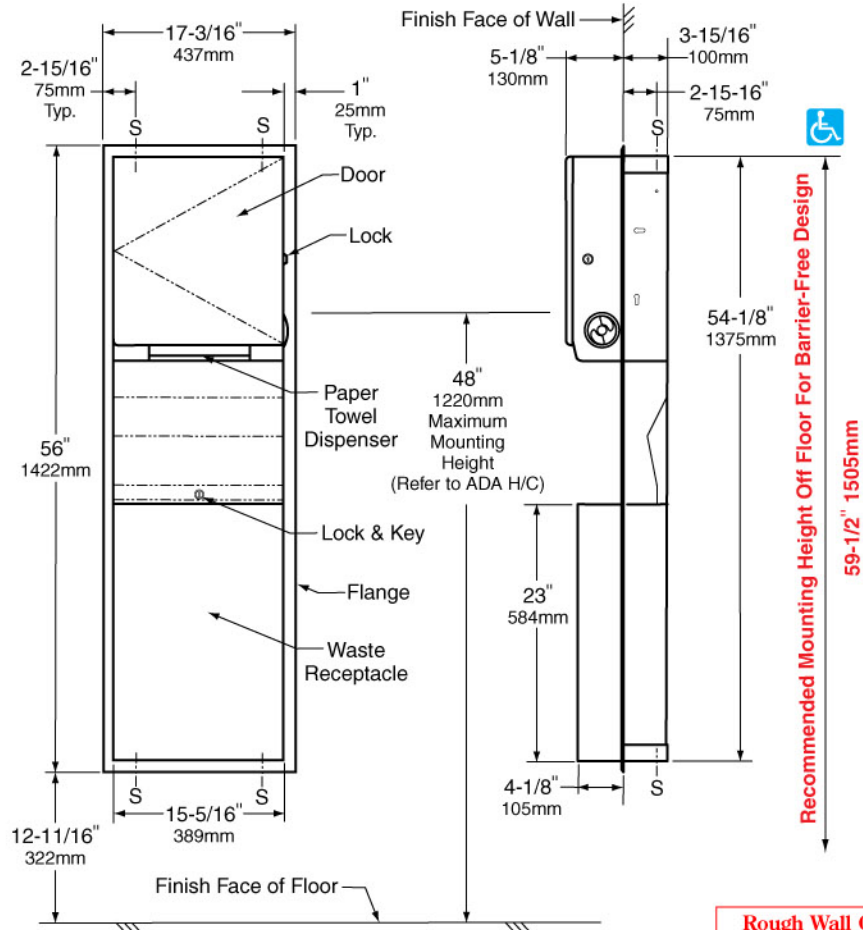
ClassicSeries™ RECESSED CONVERTIBLE PAPER TOWEL DISPENSER AND WASTE RECEPTACLE

B-3961

Distributed by
www.PandaProducts.com
 Phone: (800) 608-6568
 Fax: (409) 840-5545
 info@pandaproducts.com



Patented



Rough Wall Opening
 15-7/8" (403mm) wide
 54-5/8" (1387mm) high
 4-3/16" (106mm) minimum
 recessed depth

MATERIALS:

Cabinet — 18-8 S, type 304, heavy-gauge stainless steel. All-welded construction. Exposed surfaces have satin-finish. Equipped with a tumbler lock keyed like other Bobrick washroom accessories.

Flange — 18-8 S, type 304, 22-gauge (0.8mm) stainless steel with satin-finish. Drawn and beveled, one-piece, seamless construction.

Door — 18-8 S, type 304, 20-gauge (0.9mm) stainless steel with satin-finish. Drawn, one-piece, seamless construction. Secured to cabinet with a full-length stainless steel piano-hinge. Equipped with a tumbler lock keyed like other Bobrick washroom accessories.

Touch-free Roll Towel Dispenser — Durable, high-impact resin materials. Accepts standard-core rolls up to 8" (205mm) wide, 8" (205mm) diameter. 800 ft (244mm) long. Dispenses one 12" (300mm) length of towel per pull. Accommodates up to 3-1/2" (90mm) diameter stub roll with automatic transfer to full roll.

Waste Receptacle — 18-8 S, type 304, 22-gauge (0.8mm) stainless steel with satin finish. Front and sides of bottom and all top edges are hemmed for safe handling. Secured to cabinet with a tumbler lock keyed like other Bobrick washroom accessories. Equipped with interior hooks for optional vinyl liner. Capacity: 12-gal. (45.5-L).

continued . . .

OPERATION:

Touch-Free roll towel dispensing mechanism one 12" (300mm) length of paper towel per pull and operates smoothly and quietly. User only touches the paper. Exterior paper towel feed wheel available for use when filling dispenser and for user to advance paper should it become necessary to feed paper through dispenser. Automatic transfer dispenses stub roll before new roll is dispensed. When stub roll is depleted, advancement of paper towel feed wheel allows the main roll to start dispensing without the need to open the dispenser. Dispenser accommodates up to 8" (205mm) wide, 8" (205mm) diameter, non perforated paper towel rolls and dispenses with less than 5 pounds of force (22.2 N) to comply with barrier-free accessibility guidelines (including ADAAG in U.S.A.). To empty waste receptacle, unlock with key provided. Liner cannot be removed unless waste receptacle is unlocked from cabinet. Reusable Heavy-Gauge vinyl liners are available as an optional accessory: order Bobrick Part No. 3944-12. This unit is field convertible to a Folded Towel Dispenser by ordering Bobrick Part No. 3944-52 (Folded Towel Dispenser Module). The waste capacity can be increased by ordering Bobrick Part No. 368-60 (18-Gallon Waste Receptacle Module).

INSTALLATION:

Provide framed rough wall opening 15-7/8" wide x 54-5/8" high (403 x 1387mm). Minimum recessed depth required to finish face of wall is 4-3/16" (106mm). Allow clearance for construction features that may protrude into opening from opposite wall. Coordinate with mechanical engineer to avoid pipes, vents, and conduits. If unit projects above top of wainscot, provide aluminum channel or other filler to eliminate gap between flange and finish face of wall. Mount unit in wall opening with shims between framing and cabinet at all points indicated by an S, then secure unit with #8 x 1-1/4" (4.2 x 32mm) sheet-metal screws (not furnished).

SPECIFICATION:

Recessed convertible touch-free roll towel dispenser and waste receptacle shall be type 304 stainless steel with all-welded construction; exposed surfaces shall have satin finish. Flange shall be drawn and beveled, one-piece, seamless construction. Door shall be secured to cabinet with a full-length stainless steel piano-hinge and equipped with a tumbler lock keyed like other Bobrick washroom accessories. Towel mechanism accommodates up to 8" (205mm) wide, 8" (205mm) diameter, non-perforated paper towel rolls. 800 ft (244mm) long. Touch-Free pull towel mechanism dispenses one 12" (300mm) length of towel per pull. User only touches the paper. Automatic transfer shall dispense stub roll up to 3-1/2" (90mm) diameter before new roll is dispensed. Equipped with paper towel feed wheel for use in filling the dispenser, or for user to advance paper should it become necessary to feed paper through dispenser. Paper towels are dispensed with pull force of less than 5 pounds (22.2 N) to comply with barrier-free accessibility guidelines (including ADAAG in U.S.A.). Removable waste receptacle shall be secured to cabinet with a tumbler lock, have front and side edges of bottom and all top edges hemmed for safe handling, and shall have a minimum capacity of 12-gal. (45.5-L). Manufacturer's service and parts manual shall be provided to the building owner/manager upon request.

Recessed Convertible Paper Towel Dispenser and Waste Receptacle shall be Model B-3961 of Bobrick Washroom Equipment, Inc., Clifton Park, New York; Jackson, Tennessee; Los Angeles, California; Bobrick Washroom Equipment Company, Scarborough, Ontario; Bobrick Washroom Equipment Pty. Ltd., Australia; and Bobrick Washroom Limited, United Kingdom.

Distributed by
www.PandaProducts.com
Phone: (800) 608-6568
Fax: (409) 840-5545
info@pandaproducts.com